

Chematic 453



Description

Chematic 453 is a modification of Dober's patented Chematic 9301 cleaner that was specifically designed for the removal of Eudragit® (RL, RS, and NE) polymethacrylate coatings found in pharmaceutical and biotechnology manufacturing operations. Chematic 453 takes advantage of a modified organic solvent system which aids in the removal of both the Eudragit® and associated excipients. Chematic 453 was also formulated to be effective at lower temperatures than Chematic 9301. This formulation readily cleans the multiple layers of product and polymer associated with the use of these coatings.

Physical Properties

Physical Form:	Liquid
Appearance:	Transparent, water-white
pH Use Solution: (10% v/v):	2.0 – 3.0
Specific Gravity at 68°F:	0.970 – 1.000

Substrate compatibility: Product is safe on stainless steel, glass and most plastics and polymers. Product should be thoroughly rinsed off surfaces.

Precautionary Statement: Please refer to the current Material Safety Data Sheet.

Applications and Usage:

CIP, COP & Spray Applications:
Concentrations from 1%-10% v/v
Temperatures: 50°C-80°C

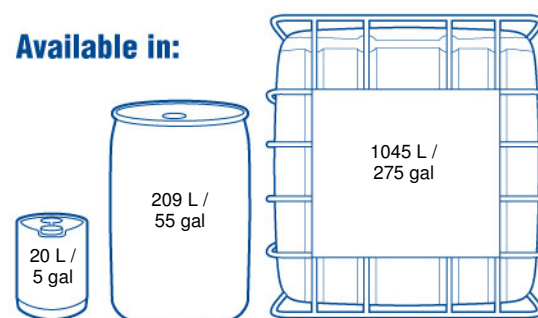
Manual Application:
Concentrations from 0.5%-10% v/v
Temperatures: 25°C-50°C

Cleaning Validation Support:

HPLC, TOC, IMS and other analytical methods are provided by the Dober Group. Validation consulting support ranging from complete project management to sampling and swabbing methodologies and assistance is available from our validation consulting group.



Available in:



Compliant

- Regulation (EC) No. 648/2004
- Commission Directive 2001/58/EC

DOBER
RESEARCH WORKS

Dober Innovation & Technology Center

11230 Katherine's Crossing
Woodridge, IL 60517
Toll free 1-800-323-4983
Local 1-630-410-7300
www.dobergroup.com